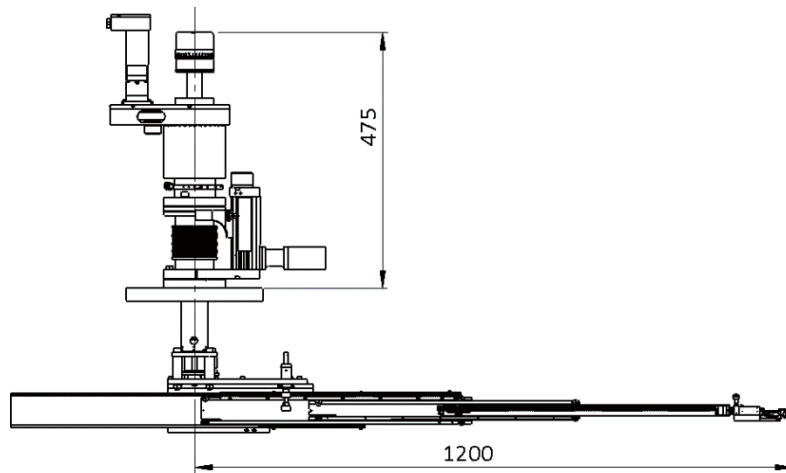
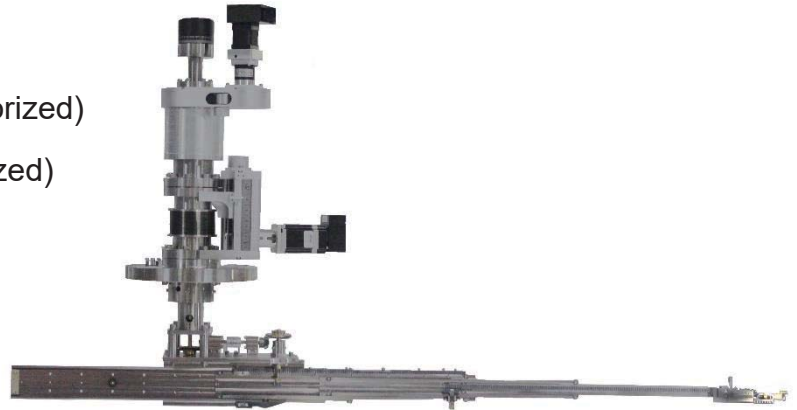


# Sample Transfer Devices

## Radical Telescope Transfer Arm

- Continuous Rotary Motion
- Extended up to 1200mm
- Rotation Reproducibility  $< 0.1^\circ$  (motorized)
- Linear Reproducibility  $< 0.1^\circ$  (motorized)
- UHV Rated to  $10^{-11}$ mbar
- Bakable to  $120^\circ\text{C}$
- High Load Carrying Capability
- Mounting Flange: NW100CF
- Constructed with Fully UHV Compatible Material



The Telescope Transfer Arm provides a cost-effective solution for radial distribution sample transfer applications providing arm rotation and arm extension.

A high torque magnetically-coupled Magi Drive precisely rotates the transfer arm to align with the desired chamber port. A second rotary drive is used to drive the innovative telescopic mechanism to provide an arm extension up to 1200 mm.

The arm can be either motorized or manually motivated. And more freedom could be added to allow the arm:

